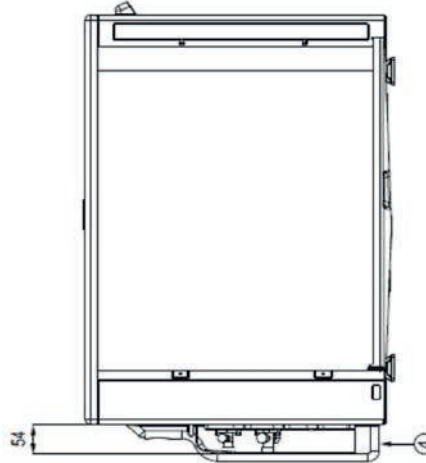
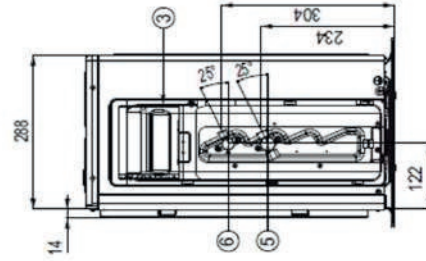
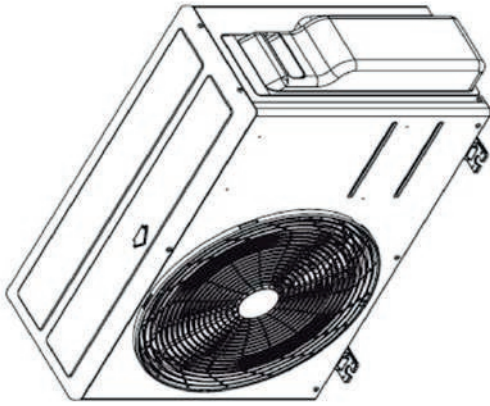
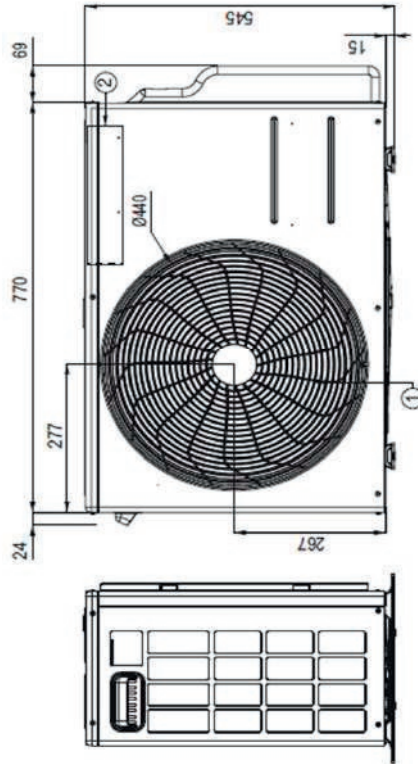
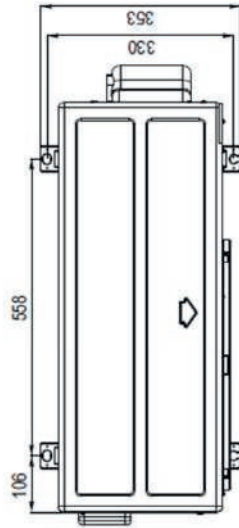
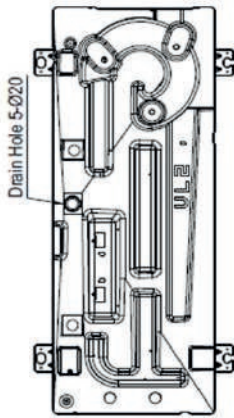


UL2 Chassis

Unit : mm



| No | Name | Description |
|----|------------------------------------|-------------|
| 6 | Liquid Pipe Connection | Flare Joint |
| 5 | Gas Pipe Connection | Flare Joint |
| 4 | Service Valve Cover | |
| 3 | Power and Communication Cable Hole | |
| 2 | Control Box | |
| 1 | Air Outlet | |